

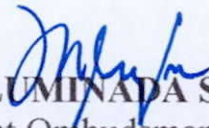
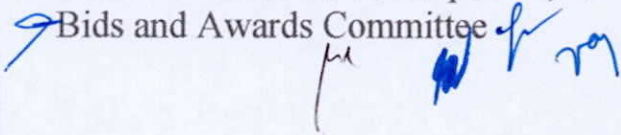


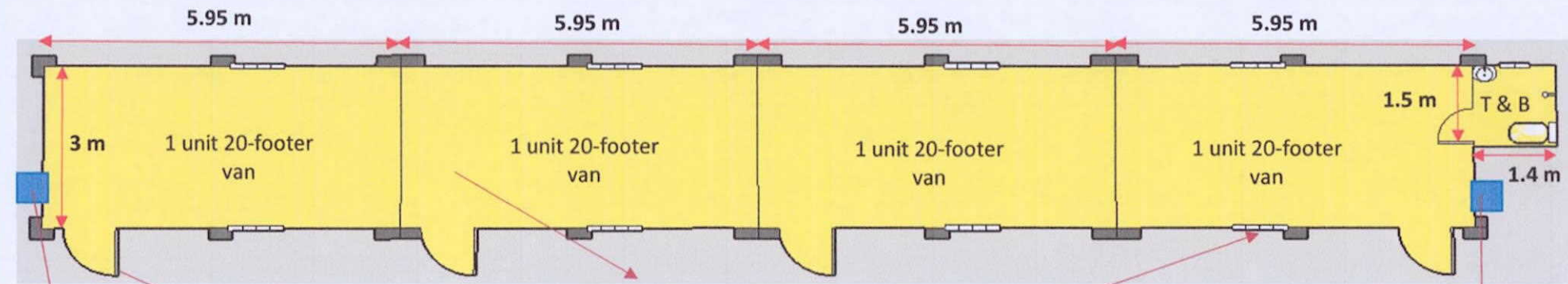
Republic of the Philippines
OFFICE OF THE OMBUDSMAN
Area Office for Mindanao
Earth corner Libra Street, GSIS Heights,
Matina, Davao City

BIDS AND AWARDS COMMITTEE
Supplemental Bid Bulletin No. 1
03 May 2024

This Supplemental Bid Bulletin No. 1 is issued with an attached Detailed Drawing/Plan for the Procurement of Goods, for the supply, delivery, and installation of two (2) units 40-footer or four (4) units 20-footer pre-fabricated Container Van as Storage Facility for the Office of the Ombudsman, Area Office for Mindanao use.

For the guidance and information of all concerned.


MARIA ILUMINADA S. LAPID-VIVA
Assistant Ombudsman/Chairperson,
Bids and Awards Committee 



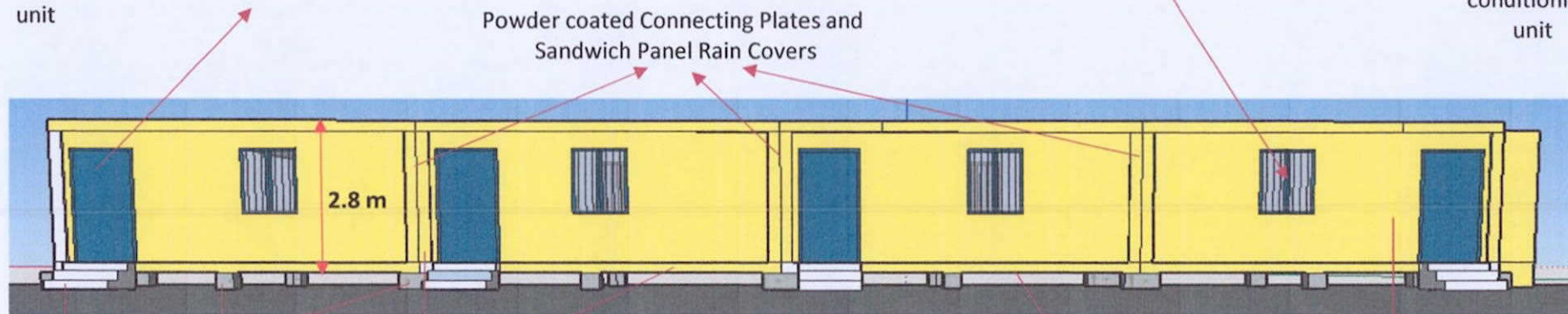
FLOOR PLAN

1.5 HP air-conditioning unit

Steel Frame Doors

UPVC Single glass security windows

1.5 HP air-conditioning unit



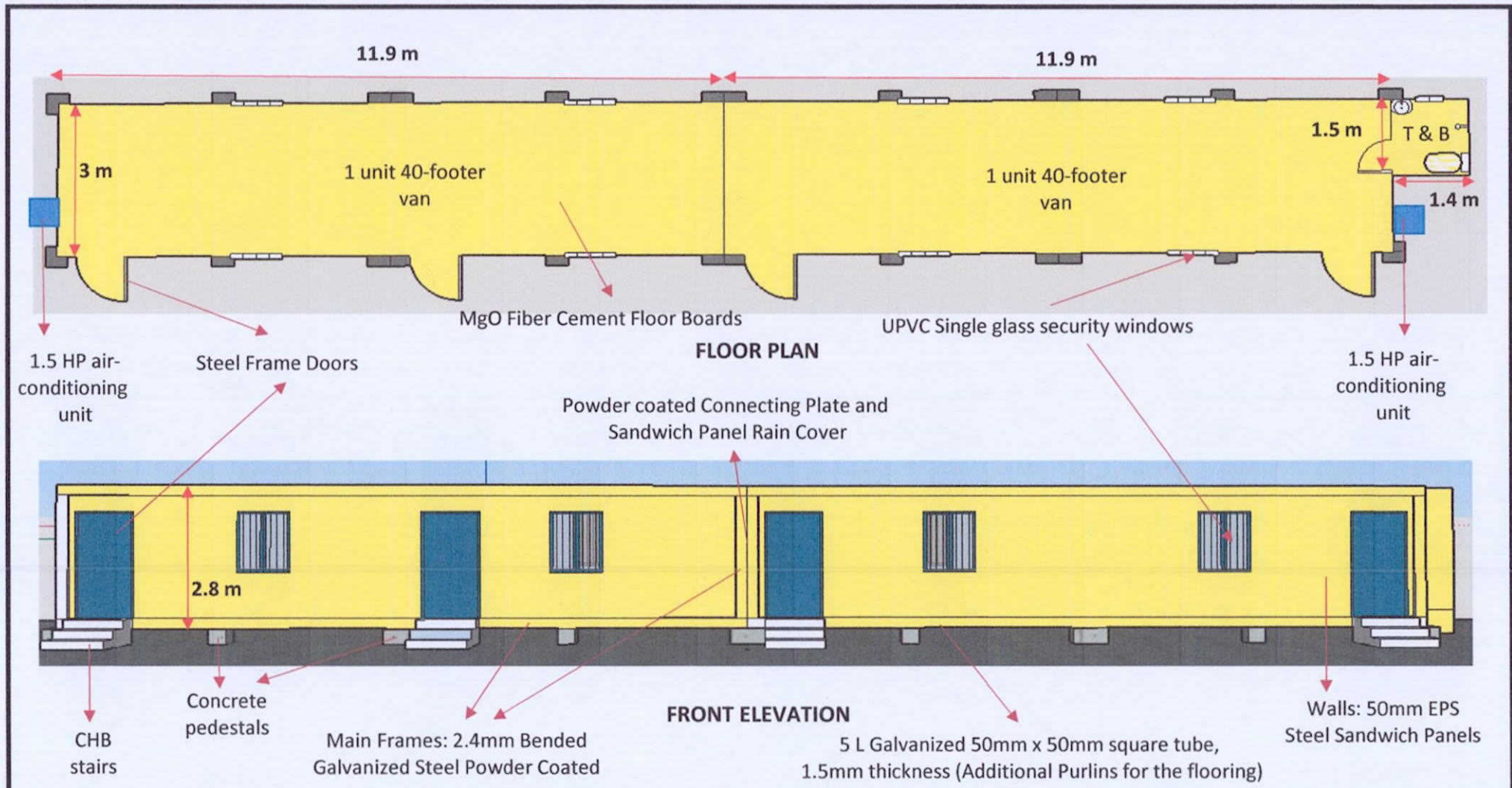
FRONT ELEVATION

OFFICE OF THE OMBUDSMAN
Area Office for Mindanao

Supply, delivery, and installation of 2 units 40-footer or 4 units 20-footer pre fabricated Container Van as Storage Facility for the Office of the Ombudsman, Area Office for Mindanao Use

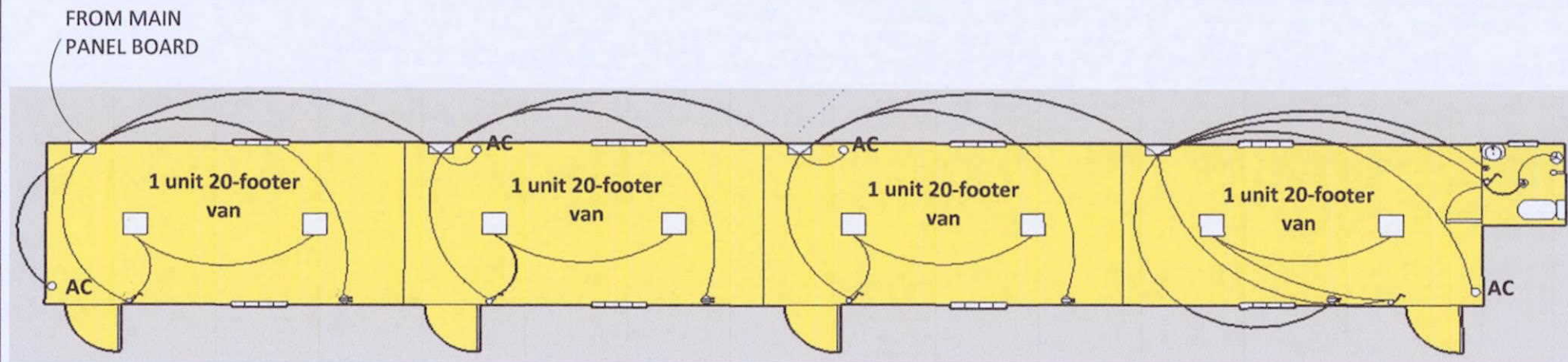
CONTENTS:
Floor Plan
Front Elevation

SHEET NO.
A - 1



Note: To deliver 2 units excess Sandwich Panel Rain Cover and Powder Coated Connecting Plates as stated in PR No. 2024-02-032 dated Feb. 19, 2024.

<p>OFFICE OF THE OMBUDSMAN Area Office for Mindanao</p>	<p>Supply, delivery, and installation of 2 units 40-footer or 4 units 20-footer pre fabricated Container Van as Storage Facility for the Office of the Ombudsman, Area Office for Mindanao Use</p>	<p>CONTENTS: Floor Plan Front Elevation</p>	<p>SHEET NO. A - 1 (40)</p>
--	--	--	--



ELECTRICAL AND POWER LAYOUT

LEGEND

SYMBOL	DESCRIPTION	SYMBOL	DESCRIPTION
□	Panel Board 3-4 branches 2p with breakers		
□	Surface Type LED Panel Light 18w white	⊗	Exhaust fan
○ AC	Air-conditioning unit outlet	⊙	LED Light
⌚	1-gang switch	⚡	3-prong outlet
⊖	2-gang outlet		

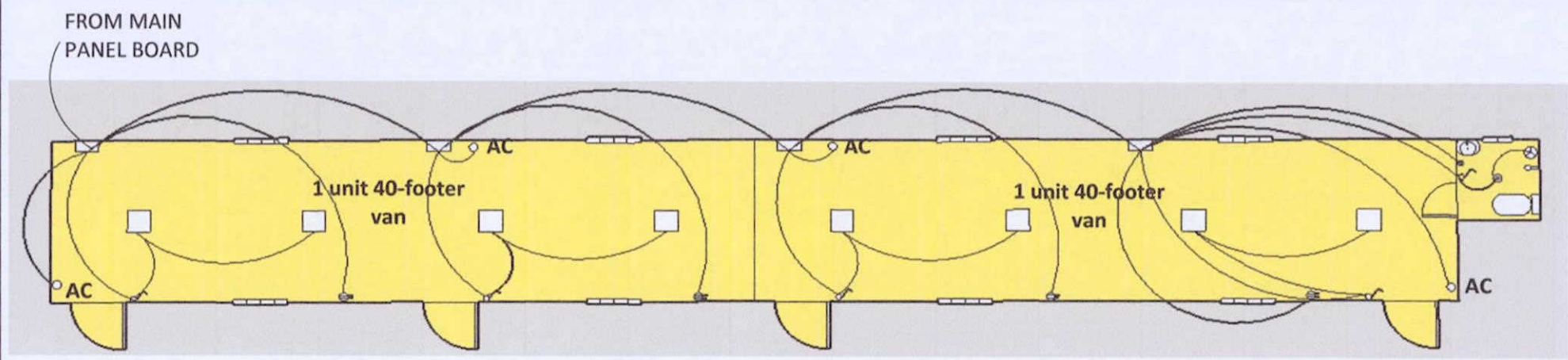
- Notes:**
- For wires from panel board to panel board, use #10 THHN wire
 - For wires from panel board to AC outlet, use #12 THHN wire
 - For wires from panel board to lighting and power outlet, use #14 THHN wire

OFFICE OF THE OMBUDSMAN
Area Office for Mindanao

Supply, delivery, and installation of 2 units 40-footer or 4 units 20-footer pre fabricated Container Van as Storage Facility for the Office of the Ombudsman, Area Office for Mindanao Use

CONTENTS:
Electrical and Power Layout

SHEET NO.
E - 1



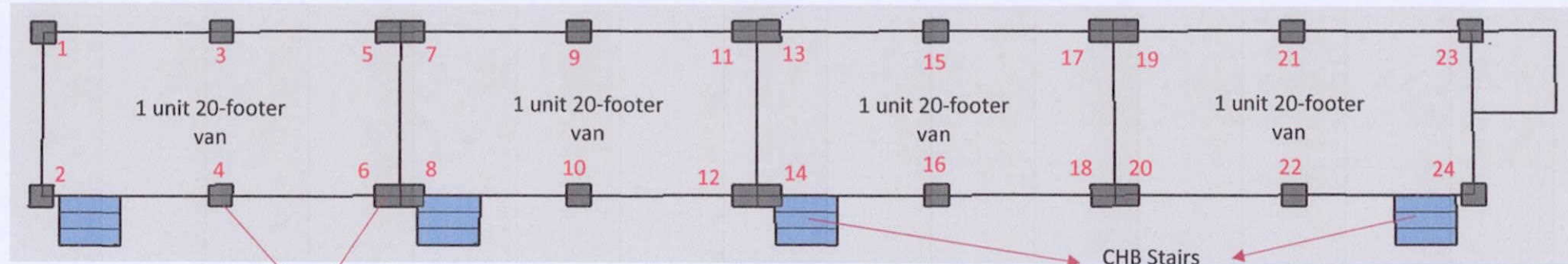
ELECTRICAL AND POWER LAYOUT

LEGEND

SYMBOL	DESCRIPTION	SYMBOL	DESCRIPTION
□	Panel Board 3-4 branches 2p with breakers		
□	Surface Type LED Panel Light 18w white	⊙	Exhaust fan
○ AC	Air-conditioning unit outlet	⊙	LED Light
⌚	1-gang switch	⊕	3-prong outlet
⊖	2-gang outlet		

- Notes:
- For wires from panel board to panel board, use #10 THHN wire
 - For wires from panel board to AC outlet, use #12 THHN wire
 - For wires from panel board to lighting and power outlet, use #14 THHN wire

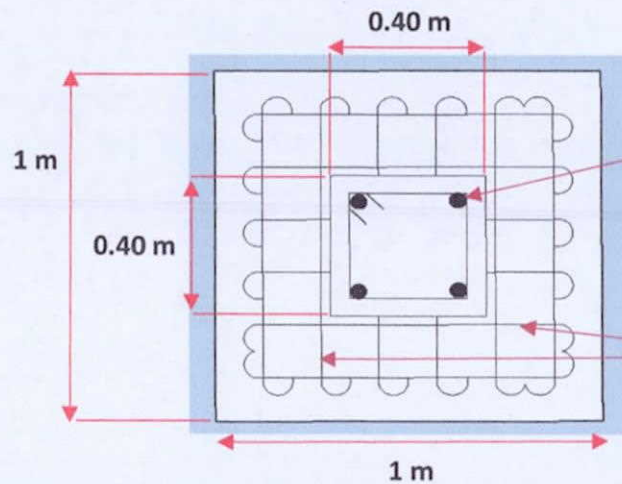
<p>OFFICE OF THE OMBUDSMAN Area Office for Mindanao</p>	<p>Supply, delivery, and installation of 2 units 40-footer or 4 units 20-footer pre fabricated Container Van as Storage Facility for the Office of the Ombudsman, Area Office for Mindanao Use</p>	<p>CONTENTS: Electrical and Power Layout</p>	<p>SHEET NO. E - 1 (40)</p>
--	--	---	--



Concrete Pedestals

PEDESTAL AND STAIRS LAYOUT

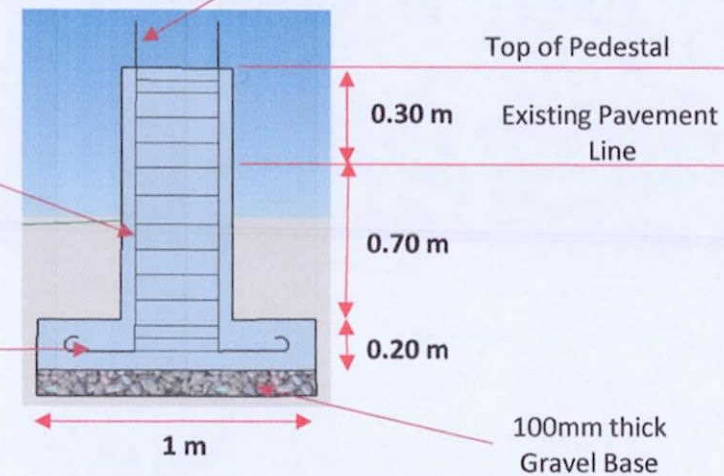
Dowels for anchorage to container van



4-12mm \varnothing Main Bars
w/ 10mm \varnothing Ties spaced
4@50mm,
4@100mm,
REST@150mm O.C.

6-12mm \varnothing Main Bed
Bars Spaced
150mm O.C. B.W.

PEDESTAL DETAILS



Top of Pedestal

0.30 m Existing Pavement Line

0.70 m

0.20 m

100mm thick Gravel Base

Note: For Stairs, use 6" Load Bearing CHB with 12mm \varnothing bars as reinforcement, Run is at least 300mm, Rise is at least 200 mm, width of at least 1025mm.

OFFICE OF THE OMBUDSMAN
Area Office for Mindanao

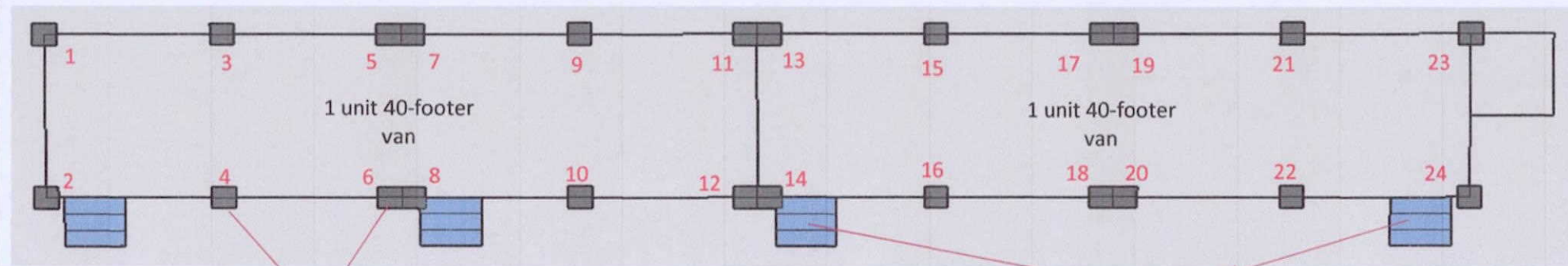
Supply, delivery, and installation of 2 units 40-footer or 4 units 20-footer pre fabricated Container Van as Storage Facility for the Office of the Ombudsman, Area Office for Mindanao Use

CONTENTS:

Pedestal and Stairs Layout
Pedestal Details

SHEET NO.

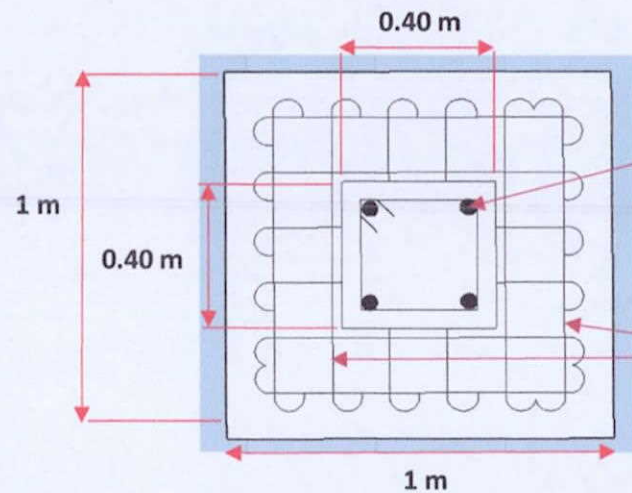
S - 1



Concrete Pedestals

PEDESTAL AND STAIRS LAYOUT

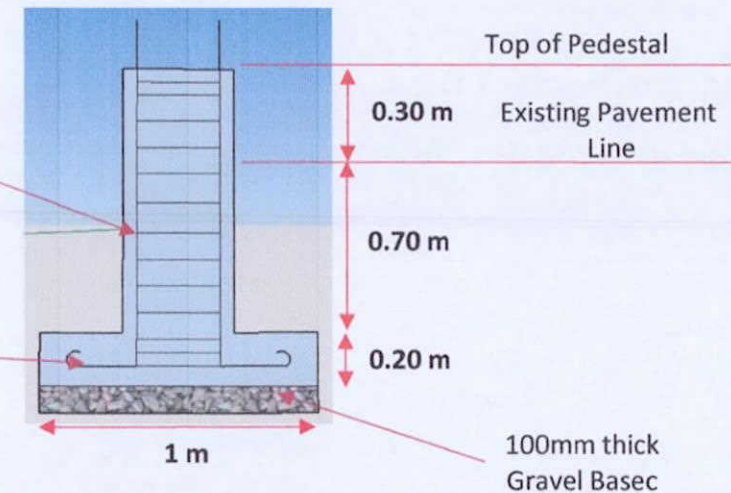
CHB Stairs



4-12mm \varnothing Main Bars
w/ 10mm \varnothing Ties spaced
4@50mm,
4@100mm,
REST@150mm O.C.

6-12mm \varnothing Main Bed
Bars Spaced
150mm O.C. B.W.

PEDESTAL DETAILS



Note: For Stairs, use 6" Load Bearing CHB with 12mm \varnothing bars as reinforcement, Run is at least 300mm, Rise is at least 200 mm, width of at least 1025mm

OFFICE OF THE OMBUDSMAN
Area Office for Mindanao

Supply, delivery, and installation of 2 units 40-footer or 4 units 20-footer pre fabricated Container Van as Storage Facility for the Office of the Ombudsman, Area Office for Mindanao Use

CONTENTS:

Pedestal and Stairs Layout
Pedestal Details

SHEET NO.

S - 1 (40)